



POWER

RMS 60w

MAX 120w

## SPECIFICATIONS

### MAD PT3-254 TWEETER

Component	SPL Tweeter
Tweeter size	1" (25mm)
Nominal impedance	4 Ohm
Power RMS	60W
Power MAX	120W
Freq. response	3000-22000Hz
Sensitivity	105dB
Voice coil	1" KSV
Frame	Aluminum
Shorting ring	Yes, copper
Magnet	HQ Neodymium
Terminal	Crosshead
Fs	2790Hz

### MAD PT3-254 CROSSOVER

Type	High pass
Slope	12dB
Cut off	6500Hz

# MAD PT3-254

## LET'S GET THE PARTY STARTED

The MAD PT3-254 boasts an extremely high sensitivity of 105 dB, which translates to crazy amounts of sound output. Get ready to be blown away – that's a GAS promise. With awesome heat dissipation and sound dispersion, these tweeters will make sure your favorite songs will be heard clearly all over the biggest parking lot – no matter the volume!

## BUILT TO PERFORM, BUILT TO LAST

These tweeters aren't just LOUD and wild, they're built to last. They feature a neodymium magnet, known for its extreme power and durability, to make sure the PT3-254 has enough LOUD to satisfy your SPL needs. The tweeter also has an aluminum frame and cone, to withstand the toughest conditions and longest cruises – while keeping heat at a minimum.

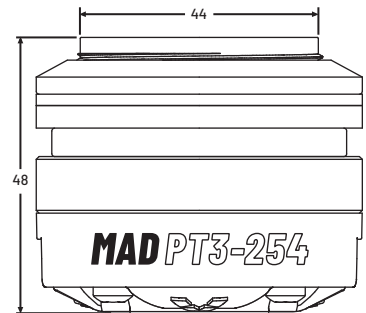
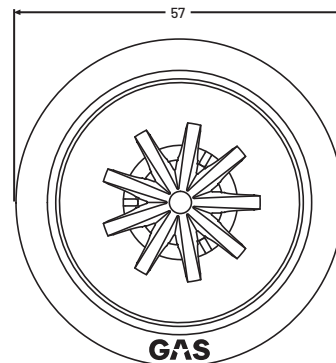
## NEXT LEVEL SPL TWEETER

Engineered for awesome sound, with a copper shorting ring for ultra-low distortion, ensuring that you'll hear EVERY single element and sound of your bangin' playlists. With the inline 12 dB crossover, these tweeters are protected and can produce even more sound, taking your audio to the EXTREME!

## THE SWEDISH COOL FACTOR

The MAD PT3-254 is equipped with screw terminals for a quick & easy installation with a secure connection. Our bold and MAD tweeter design will give you a kick ass sound and make everyone jealous of your crazy SPL build.

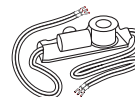
## DIMENSIONS (mm)



## PARTS INCLUDED



Tweeter  
(2pcs)



Crossover  
(2pcs)



Manual  
(1pc)